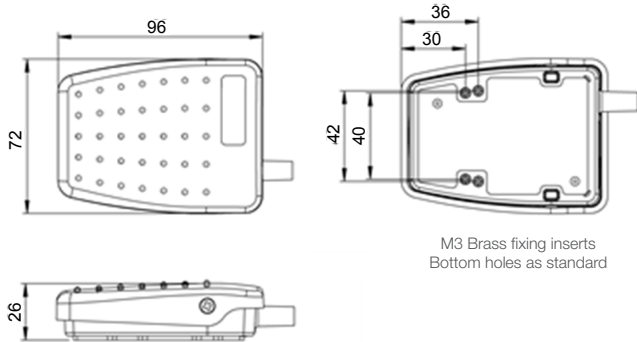


6227 Foot Switches

For IPX2 single & double pole switching

- Low profile, rear hinged switch designed for improved user comfort
- All plastic construction with raised tread pattern and anti-slip pad
- Versatile and innovative design make it an ideal product for OEM use
- Switches designed to meet industrial, office and commercial standards
- Variable output option
- Option for customers to fit own cable

Reference dimensions



General specifications

Standards/approvals	n/a	Operating temperature range	-20 to +80°C
Degree of protection	EN 60529 IPX2	Body material	Thermoplastic
Connection method	Stripped cable cores, USB or connector of your choice	Weight	0.14Kg (including cable)
Electrical rating	Max. 3A 250V AC/DC	Additional information	Customized versions available (logos, cordsets, colours, guards)
Contact configuration	SPST N/O, SPST N/C, SPCO, DPST N/O, DPST N/C, DPCO		



6227 Foot Switches

For IPX2 single & double pole switching

Ordering & Options

6227 - [] [] [] [] [] [] [] [] - 0 0 0

Model

Cover & base colours

- | | |
|-----------------------------|-----------------------------|
| A Black cover & Black base | E Red cover & Black base |
| B Grey cover & Black base | L Blue cover & Black base |
| C Yellow cover & Black base | N Orange cover & Black base |
| D Green cover & Black base | |

Base configuration

- | |
|--|
| A Base fitted with M3 brass inserts |
| B Base fitted with Neoprene pad |
| C Base fitted with M3 brass inserts & Neoprene pad |
| D Base fitted with Anti-slip Feet |

Switching action

- | |
|---|
| A Single pole normally open microswitch (SC) |
| B Single pole change over microswitch (CC) |
| C Double pole normally open microswitches (DO) |
| D Double pole normally open microswitches Two stage (DA) |
| E Single or double switch supplied without cable |
| F USB Pre-programmed for customer keystroke (supplied with 2.5m cable & plug) |
| G Variable output/Hall effect |

Electrical rating

- | |
|---|
| A Microswitch (Max. rating 0.1A, 24 V AC/DC) |
| B Microswitch (Max. rating 3A, 250 V AC/DC) |
| C Sub-Min Microswitch For USB Option Only (Max Rating 20mA 5V DC) |
| D Variable output only (0-5V output) |

2-core cable at 2m length

- | |
|----------------------|
| B Cable 2-core Black |
| Z No cable chosen |

3-core cable at 2m length (min requirement for variable output)

- | |
|----------------------|
| B Cable 3-core Black |
| Z No cable chosen |

4-core cable at 2m length

- | |
|----------------------|
| B Cable 4-core Black |
| Z No cable chosen |

Non cable variants - Customer fitted units (IPX2)

- | |
|---|
| A Single microswitch changeover (Solder tag 3.2 mm x 0.5mm) (Max. rating 3A, 250 V AC/DC) |
| B Double microswitch changeover (Solder tag 3.2 mm x 0.5mm) (Max. rating 3A, 24 V AC/DC) |
| Z No cable option chosen |

Special attributes

000 indicates no special attribute option chosen (product as standard matrix)
001 through 999 indicates special attributes

Cable length variation if different from 2m
Pre-programmed keystrokes for USB footswitch
Customer specified identification and label combination
Guard or special base

Accessories

Part Number	Description
6202-0001	Single Black RAL 9005 guard
6202-0002	Single Grey RAL 7035 guard
6202-0003	Twin Grey RAL 7035 guard



With 6202 Guard