

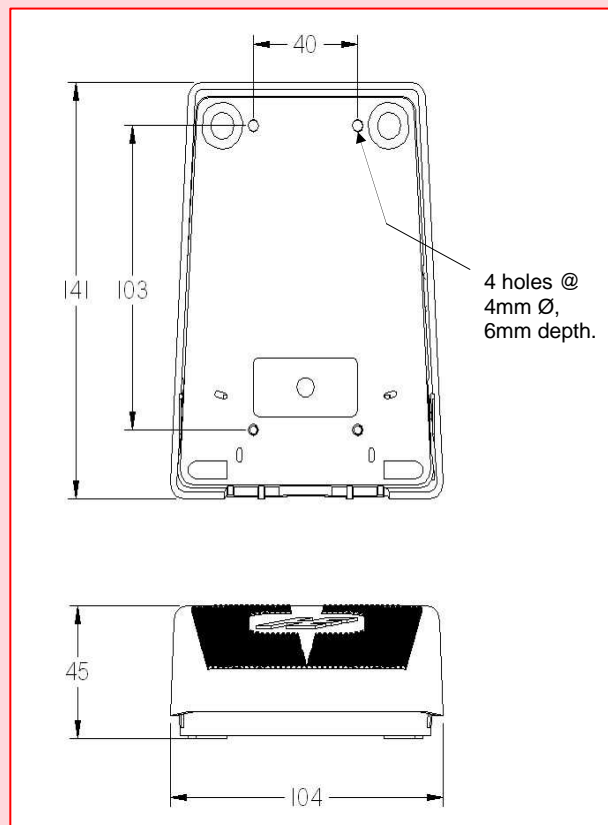
6461-6T12-4000 Wireless, Batteryless Footswitch

The Herga Enocean enabled Navatis footswitch is designed to work with the Herga Navatis range of controls. Suitable for applications where wiring and maintenance is awkward or not possible and an IP rating is not required. The Navatis system will work through many types of materials allowing for switching through walls or ceilings (see below).



Benefits

- Wireless, batteryless operation.
- Each Navatis transmitter has its own unique pre-programmed code.
- Suitable for light duty applications where high IP rating is not required.
- One footswitch can quickly and easily be assigned to any number of controls.
- Optional guard available to prevent accidental operation.
- Available with light grey cover fitted.
- Up to 60,000 operations



Transmission Range

- Typically 30m range in corridors, up to 100m in halls/outdoors
- Plasterboard walls / dry wood: Typically 30m range, through max. 5 walls
- Brick walls / aerated concrete: Typically 20m range, through max. 3 walls
- Ferroconcrete walls / ceilings: Typically 10m range, through max. 1 ceiling
- Fire-safety walls, elevator shafts, staircases and supply areas should be considered as screening.

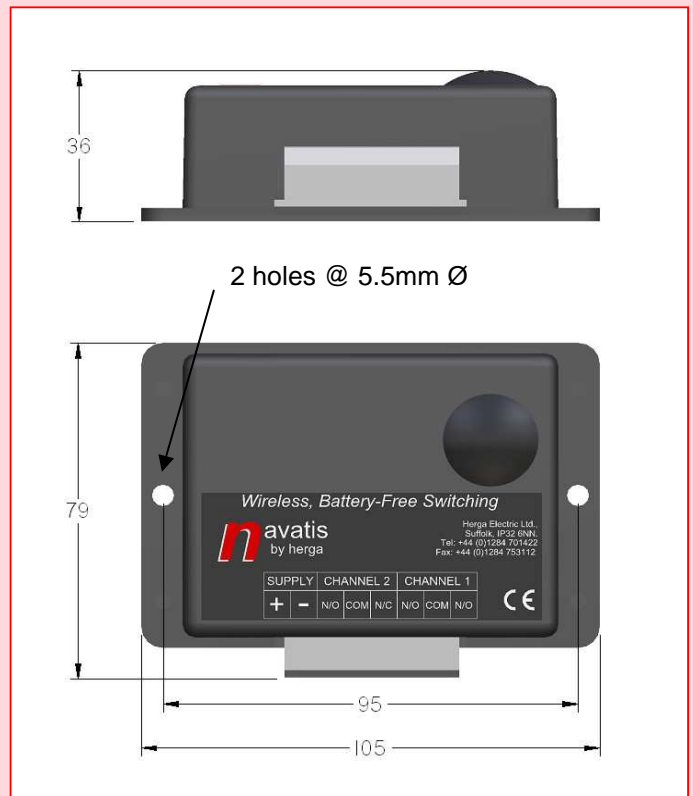
6461-6R13-2000 24 V DC Wireless Controls

The Herga Enocan enabled Navatis Controls are designed to work with the Herga Navatis range of footswitches. Suitable for applications where wiring and maintenance is awkward or not possible and an IP rating is not required. The Navatis system will work through many types of materials allowing for switching through walls or ceilings (see below).



Benefits

- One or two channel option.
- Easily programmable.
- Suitable for light duty applications where high IP rating is not required.
- Up to 30 footswitches can be assigned to one control.
- Contact Rating: 2A @ 24 V DC
- Supply voltage: 24Vdc
- User selectable momentary/ latching operation on each output channel via DIP switches.



Transmission Range

- Typically 30m range in corridors, up to 100m in halls/outdoors
- Plasterboard walls / dry wood: Typically 30m range, through max. 5 walls
- Brick walls / aerated concrete: Typically 20m range, through max. 3 walls
- Ferroconcrete walls / ceilings: Typically 10m range, through max. 1 ceiling
- Fire-safety walls, elevator shafts, staircases and supply areas should be considered as screening.